

**По вопросам продаж и поддержки обращайтесь:**

Архангельск (8182)63-90-72	Краснодар (861)203-40-90	Рязань (4912)46-61-64
Астана (7172)727-132	Красноярск (391)204-63-61	Самара (846)206-03-16
Белгород (4722)40-23-64	Курск (4712)77-13-04	Санкт-Петербург (812)309-46-40
Брянск (4832)59-03-52	Липецк (4742)52-20-81	Саратов (845)249-38-78
Владивосток (423)249-28-31	Магнитогорск (3519)55-03-13	Смоленск (4812)29-41-54
Волгоград (844)278-03-48	Москва (495)268-04-70	Сочи (862)225-72-31
Вологда (8172)26-41-59	Мурманск (8152)59-64-93	Ставрополь (8652)20-65-13
Воронеж (473)204-51-73	Набережные Челны (8552)20-53-41	Тверь (4822)63-31-35
Екатеринбург (343)384-55-89	Нижний Новгород (831)429-08-12	Томск (3822)98-41-53
Иваново (4932)77-34-06	Новокузнецк (3843)20-46-81	Тула (4872)74-02-29
Ижевск (3412)26-03-58	Новосибирск (383)227-86-73	Тюмень (3452)66-21-18
Казань (843)206-01-48	Орел (4862)44-53-42	Ульяновск (8422)24-23-59
Калининград (4012)72-03-81	Оренбург (3532)37-68-04	Уфа (347)229-48-12
Калуга (4842)92-23-67	Пенза (8412)22-31-16	Челябинск (351)202-03-61
Кемерово (3842)65-04-62	Пермь (342)205-81-47	Череповец (8202)49-02-64
Киров (8332)68-02-04	Ростов-на-Дону (863)308-18-15	Ярославль (4852)69-52-93

**Единый адрес:** [edi@nt-rt.ru](mailto:edi@nt-rt.ru) **Веб-сайт:** [www.linde.nt-rt.ru](http://www.linde.nt-rt.ru)

## Электротележки Т 16 L LINDE МН. Техническое описание

## Standard Equipment/Optional Equipment

### Standard Equipment

Cushion rubber drive wheel  
 Single polyurethane load wheels  
 Compact vertical change for BS battery  
 Max. lift height to top of the pallet : 804mm  
 Protection screen between mast channels  
 Compact lifting system for excellent visibility of the forks  
 Fork length : 1150 mm  
 Width over forks : 560 mm

Solid and long-lasting Extraal® covers  
 Storage for shrink wrap, pens, gloves on the battery cover  
 Hour meter and battery discharge indicator  
 Key switch or LFM Go (PIN-code access)  
 Horn  
 Digital LAC controller  
 Automatic parking brake  
 Protection to -10°C

### Optional Equipment

Drive wheels: polyurethane, non-marking, wet grip, treaded polyurethane, treaded cushion  
 Load wheels: tandem polyurethane or tandem polyurethane greaseable  
 Fork length : 1190 mm  
 Width over forks : 520 mm  
 Creep speed activated from the tiller head  
 Proportional speed according to the tiller angle  
 Additional buttons for lifting/lowering the forks on chassis side  
 Automatic lifting of the forks

Automatic lifting & lowering with foot protection  
 Lateral battery change for 2 PzS battery  
 Load backrest: 900 mm or 1290 mm high  
 Built-in charger - high frequency technology - 24V / 35A  
 Cold store protection to -35°C  
 Linde Connected Solutions:  
 ac:access control (PIN or RFID Dual), an:usage analysis and dt:crash detection  
 Castor wheels with springs & damper  
 Additional emergency stop button  
 Buzzer for noise sensitive areas

Other options available on request.



Pallet Truck with ergonomic lift  
 Capacity 1600 kg/800 kg  
 T16L

Series 1152

Linde Material Handling



### Safety

The Linde T16L benefits from a long tiller with a low mounting point ensuring a large safety clearance between operator & chassis. While using optional buttons or automatic function from the chassis side, the lowering stops automatically to keep the operator's feet safe. Creep speed and proportional speed functions, available as options, provide optimum safety while travelling or manoeuvring in tight corners.

### Performance

The T16L shows its true efficiency on the job. The powerful lift & traction motors supply the performance needed to achieve a high level of productivity. The truck has a maximum capacity of 1600 kg. Wide spaced mast channels provide excellent stability for the load enabling a residual capacity of 800 kg in fully raised position.

### Comfort

Empty pallets can be raised by 804 mm, eliminating back or upper body strain. This height adjustment is really appreciated when order picking, restocking shelves in retail stores or assembly line activities in manufacturing industries. Additional buttons located on the truck side and automatic functions enable all kind of loads to be lifted or lowered quickly and without fatigue.

## Features

### Safety

- Long tiller arm and low mounting point ensure ample safety clearance between operator and chassis
- Low chassis skirt protects operator's feet when manoeuvring
- Ergonomic tiller head: wrap-around protection for the operator's hands
- Feet protection on the lowering functions used from the chassis side
- Proportional traction speed according to the tiller angle (option)

### Stability

- Integrated mast matched to chassis width
- Highly resistant fork carriage and load arms made of robust pressed steel



### Controls

- Separate controls for initial lift and high lift
- OptiLift proportional lifting controls
- Additional lifting/lowering buttons on chassis sides (option)
- Automatic lifting or lifting/lowering function (option)
- Creep speed (option)
- All commands integrated to the tiller

### Handling

- Chassis narrower than a pallet
- Compact dimensions and small turning radius
- Long tiller arm reduces steering effort to maximise manoeuvrability

### Extraal cover

- Extremely strong - lasts the life time of the truck
- Easily removed for fast, convenient access to all components



### AC Motor

- Powerful, smooth-running motor, 1.2 kw (at 100% output)
- Climbing ability -14%, fully laden
- Travel speed adjustable up to 6km/h max. laden or unladen



### Braking

- Highly efficient mechanical brake when tiller is fully raised or lowered
- Automatic electric braking on releasing traction butterfly or reversing direction
- Truck slows before coming to a stop, remaining under total control at all times
- No roll-back when starting on a slope



### Batteries and chargers

- BS or 2 PzS battery up to 250 Ah, suitable for vertical battery change
- Lateral change for 2 PzS compartment
- Easy battery charging - available with optional built-in charger suitable for any convenient electric outlet

Subject to modification in the interest of progress. Illustrations and technical details could include options and not binding for actual constructions. All dimensions subject to usual tolerances.



# Technical Data according to VDI 2198

Characteristics	1.1	Manufacturer		LINDE
	1.2	Model designation		<b>T 16 L</b>
	1.3	Power unit		Battery
	1.4	Operation		Pedestrian
	1.5	Load capacity/Load	Q (t)	
Weights	1.6	Load centre	c (mm)	600
	1.8	Axle centre to fork face	x (mm)	890 / 950 <sup>2)3)</sup>
	1.9	Wheelbase	y (mm)	1338 / 1404 <sup>2)3)</sup>
	2.1	Service weight	(kg)	603 (556) <sup>4)5)</sup>
Wheels/Tyres	2.2	Axle load with load, front/rear	(kg)	805 / 1398 (758 / 1398) <sup>4)5)</sup>
	2.3	Axle load without load, front/rear	(kg)	458 / 145 (411 / 145) <sup>3)4)</sup>
	3.1	Tyres rubber, SE, pneumatic, polyurethane		V+P/p <sup>6)</sup>
	3.2	Tyre size, front		Ø 230 x 75
	3.3	Tyre size, rear		Ø 85 x 90 (Ø 85 x 65) <sup>7)</sup>
	3.4	Auxiliary wheels (dimensions)		Ø 125 x 40
	3.5	Wheels, number front/rear (x = driven)		1x + 2 / 2 (1x + 2 / 4)
Dimensions	3.6	Track width, front	b10 (mm)	482 <sup>9)</sup>
	3.7	Track width, rear	b11 (mm)	340 / 380 <sup>9)8)</sup>
	4.2	Height of mast, lowered	h1 (mm)	1275
	4.3	Free lift	h2 (mm)	550
	4.4	Lift	h3 (mm)	675 <sup>9)</sup>
	4.6	Initial lift	h5 (mm)	125
	4.9	Height of tiller arm in operating position, min/max	h14 (mm)	720 / 1240
	4.15	Height, lowered	h13 (mm)	85
	4.19	Overall length	l1 (mm)	1842 (1767) <sup>9)3)</sup>
	4.20	Length to fork face	l2 (mm)	692 (617) <sup>9)3)</sup>
	4.21	Overall width	b1/b2 (mm)	720 <sup>9)</sup>
	4.22	Fork dimensions	s/e/l (mm)	50 x 180 x 1150
	4.25	Fork spread, min/max	b5 (mm)	520 / 560 <sup>3)</sup>
	4.32	Ground clearance, centre of wheelbase	m2 (mm)	20 / 145 <sup>9)</sup>
	4.33	Aisle width with pallet 1000 x 1200 across forks	Ast (mm)	1935 (1860) <sup>9)10)</sup>
4.34	Aisle width with pallet 800 x 1200 along forks	Ast (mm)	2135 (2060) <sup>9)10)</sup>	
4.35	Turning radius	Wa (mm)	1625 / 1685 (1550 / 1610) <sup>2)5)</sup>	
Performance	5.1	Travel speed, with/without load	(km/h)	6 / 6 <sup>11)</sup>
	5.2	Lifting speed, with/without load	(m/s)	0.115 / 0.184 (0.035 / 0.041) <sup>12)4)</sup>
	5.3	Lowering speed, with/without load	(m/s)	0.326 / 0.13 (0.062 / 0.031) <sup>12)4)</sup>
	5.8	Maximum climbing ability, with/without load	(%)	14.0 / 25.0
	5.9	Acceleration time, with/without load	(s)	7.5 / 6.5
	5.10	Service brake		Electro-magnetic
Drive	6.1	Drive motor, 60 minute rating	(kW)	1.2
	6.2	Lift motor, rating at S3 15%	(kW)	1.2
	6.3	Battery according to DIN 43531/35/36 A,B,C,no		43 535 / B / 2Pz5 (BS)
	6.4	Battery voltage/rated capacity (5h)	(V/Ah)	24 / 180 (24 / 150)
	6.5	Battery weight (+ 5%)	(kg)	212 (157)
	6.6	Power consumption according to VDI cycle	(kWh/h)	0,38
Others	8.1	Type of drive control		LAC
	8.4	Noise level at operator's ear	(dB(A))	62

1) Load distribution e.g. 800 kg on the forks, 800 kg on the fork arms.  
Total load max. 1600 kg.

2) Forks upraised / lowered

3) (± 5 mm)

4) (± 10%)

5) Figures in parenthesis refer to short version with BS cells

6) Solid rubber + polyurethane / polyurethane

7) Figures in parenthesis with tandem load wheels.

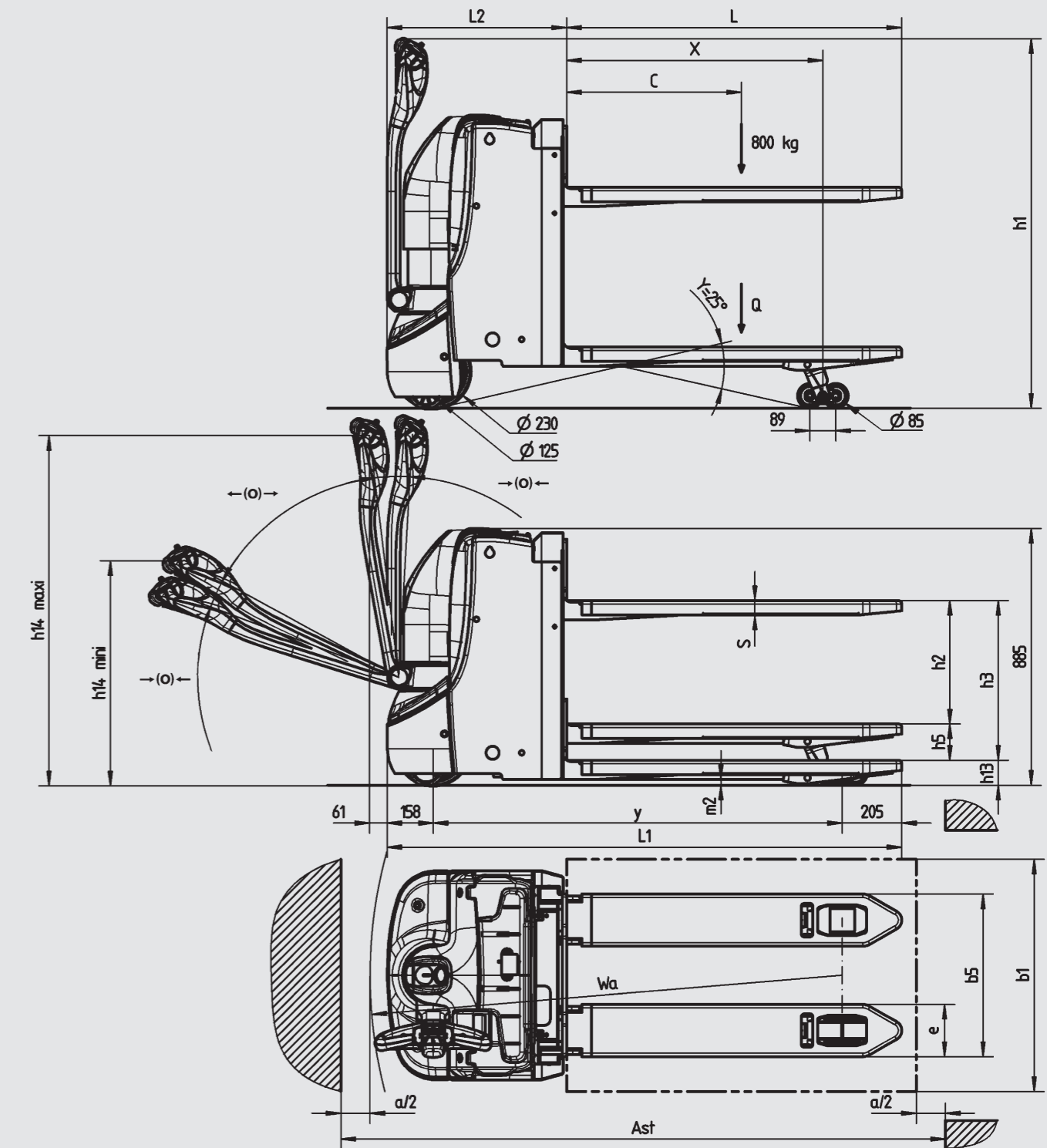
8) Depending on the forks spread; see 4.25

9) min./max.

10) Including a 200 mm (min.) operating aisle clearance.

11) (± 5%)

12) Figures in parenthesis with initial lift



**По вопросам продаж и поддержки обращайтесь:**

Архангельск (8182)63-90-72	Краснодар (861)203-40-90	Рязань (4912)46-61-64
Астана (7172)727-132	Красноярск (391)204-63-61	Самара (846)206-03-16
Белгород (4722)40-23-64	Курск (4712)77-13-04	Санкт-Петербург (812)309-46-40
Брянск (4832)59-03-52	Липецк (4742)52-20-81	Саратов (845)249-38-78
Владивосток (423)249-28-31	Магнитогорск (3519)55-03-13	Смоленск (4812)29-41-54
Волгоград (844)278-03-48	Москва (495)268-04-70	Сочи (862)225-72-31
Вологда (8172)26-41-59	Мурманск (8152)59-64-93	Ставрополь (8652)20-65-13
Воронеж (473)204-51-73	Набережные Челны (8552)20-53-41	Тверь (4822)63-31-35
Екатеринбург (343)384-55-89	Нижний Новгород (831)429-08-12	Томск (3822)98-41-53
Иваново (4932)77-34-06	Новокузнецк (3843)20-46-81	Тула (4872)74-02-29
Ижевск (3412)26-03-58	Новосибирск (383)227-86-73	Тюмень (3452)66-21-18
Казань (843)206-01-48	Орел (4862)44-53-42	Ульяновск (8422)24-23-59
Калининград (4012)72-03-81	Оренбург (3532)37-68-04	Уфа (347)229-48-12
Калуга (4842)92-23-67	Пенза (8412)22-31-16	Челябинск (351)202-03-61
Кемерово (3842)65-04-62	Пермь (342)205-81-47	Череповец (8202)49-02-64
Киров (8332)68-02-04	Ростов-на-Дону (863)308-18-15	Ярославль (4852)69-52-93

**Единый адрес:** [edi@nt-rt.ru](mailto:edi@nt-rt.ru)    **Веб-сайт:** [www.linde.nt-rt.ru](http://www.linde.nt-rt.ru)